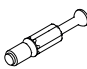


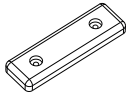


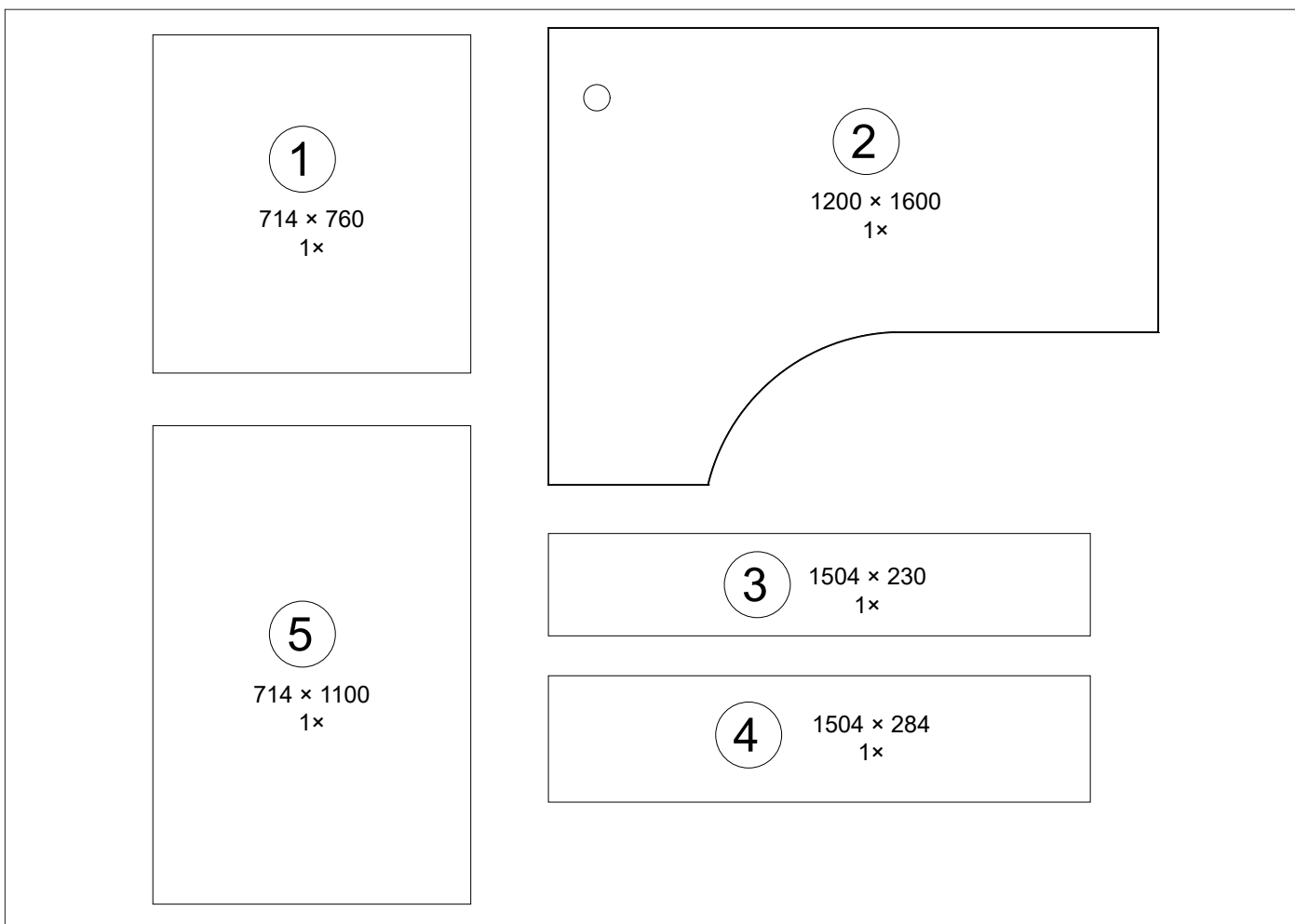
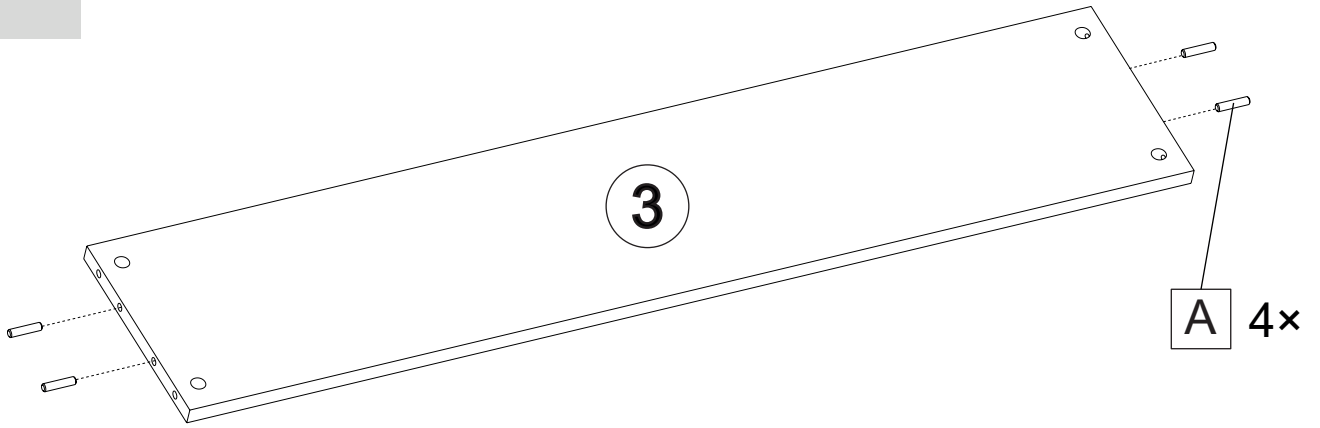
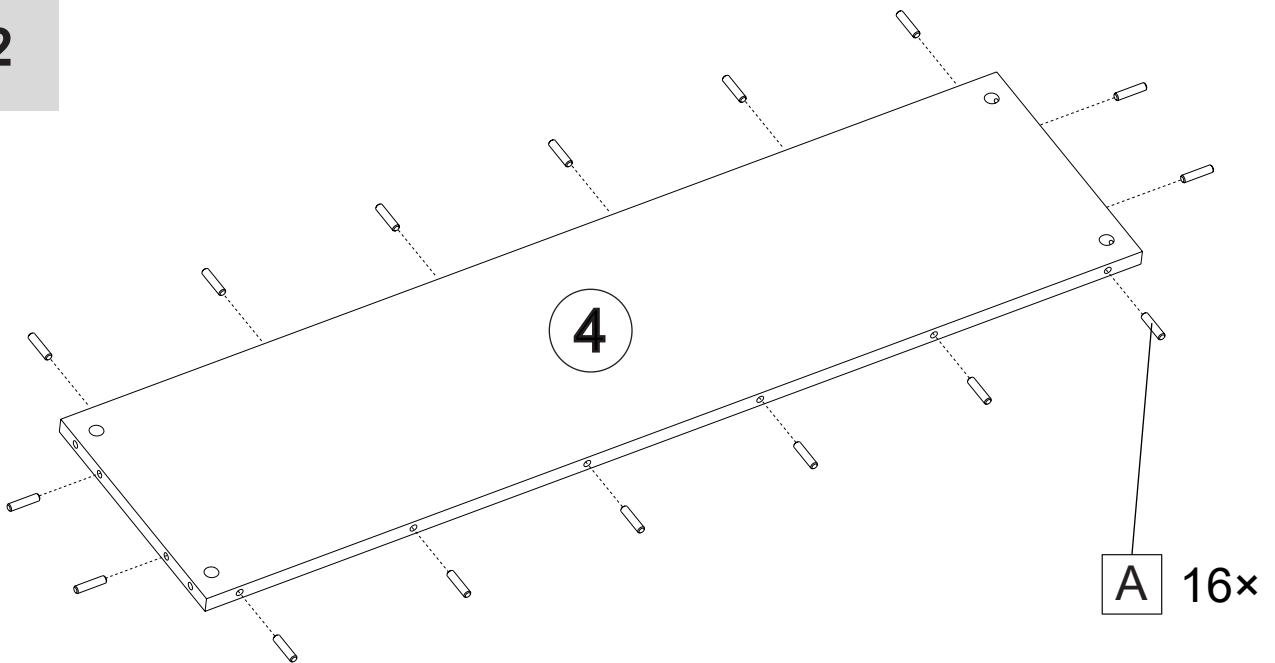
 Ø8 × 35					 Ø3,5 × 16	
A 25×	B 15×	C 15×	D 15×	E 4×	F 8×	G 1×



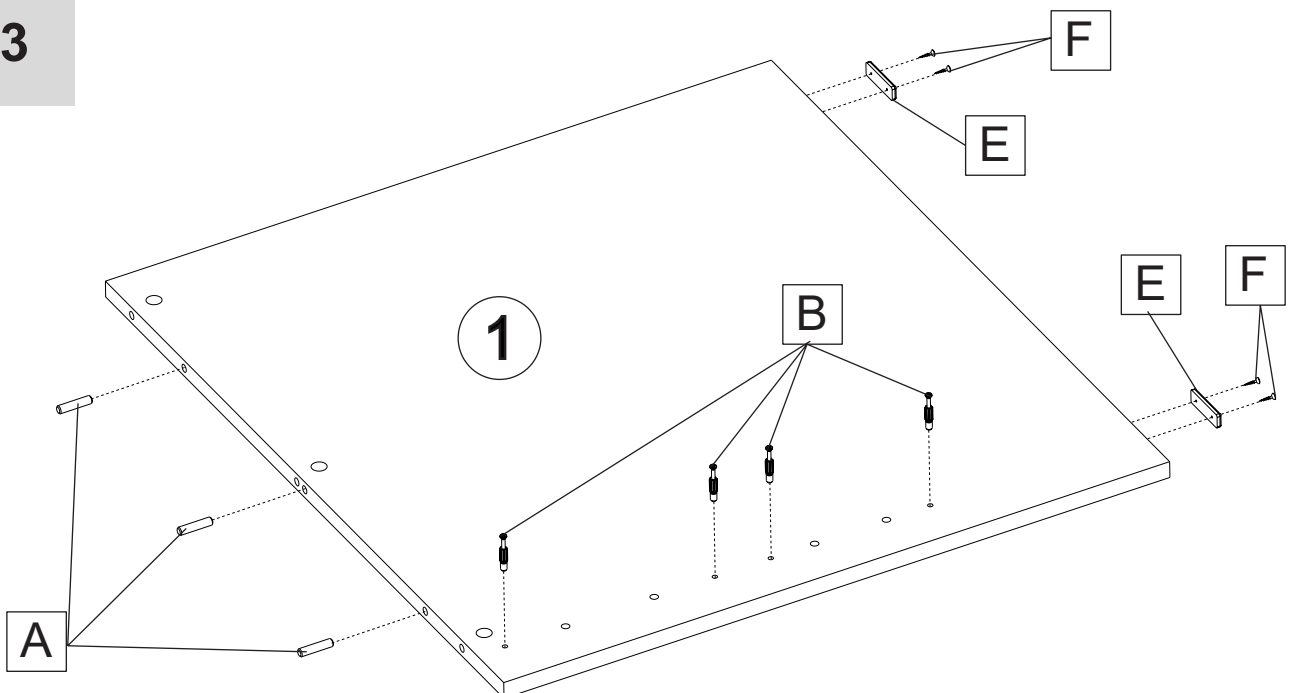
1



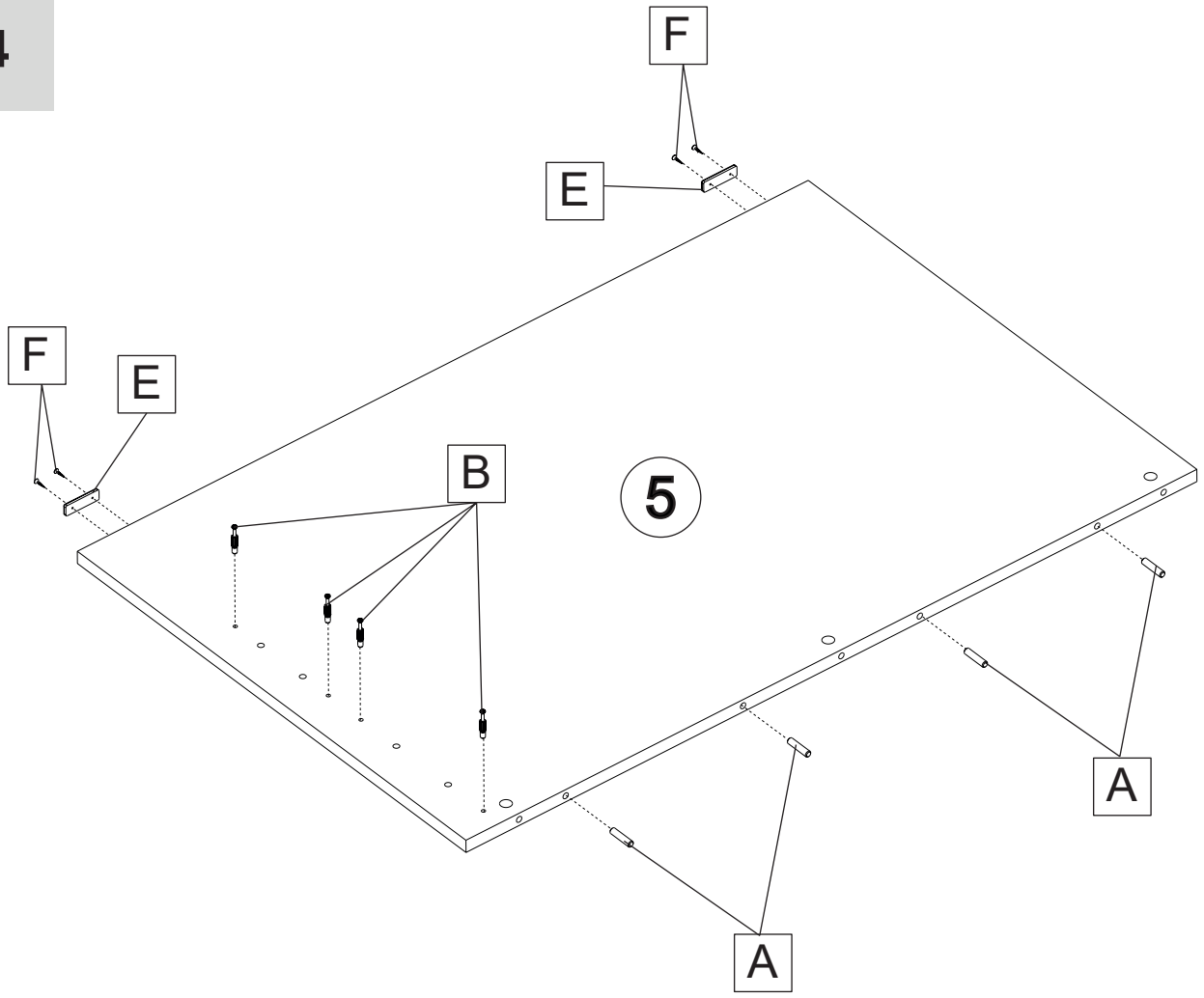
2



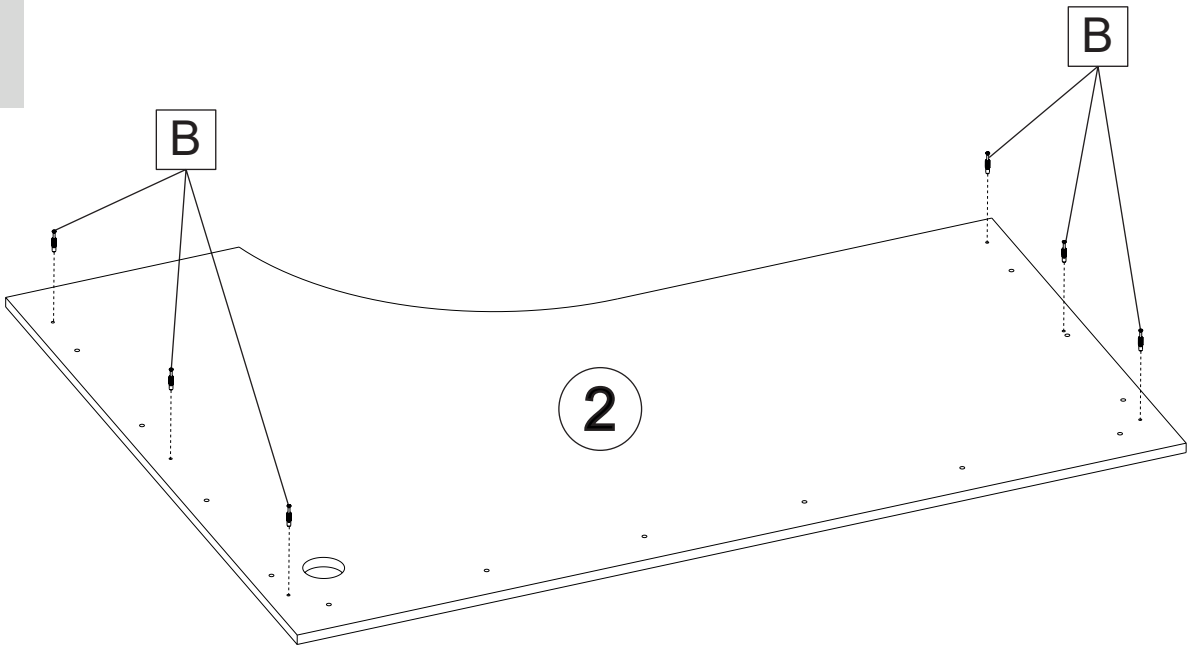
3



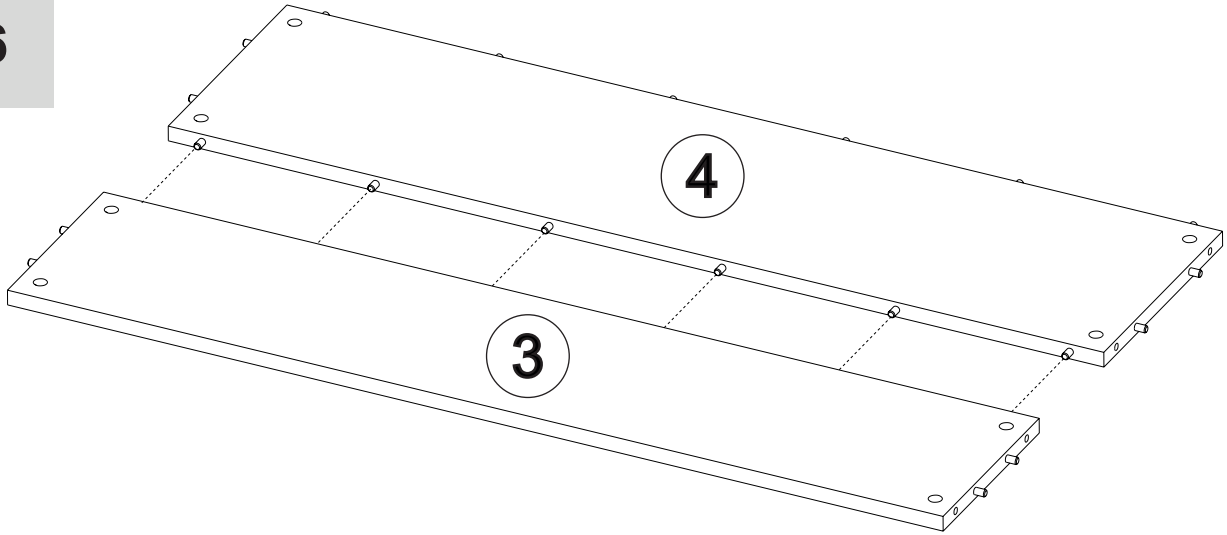
4



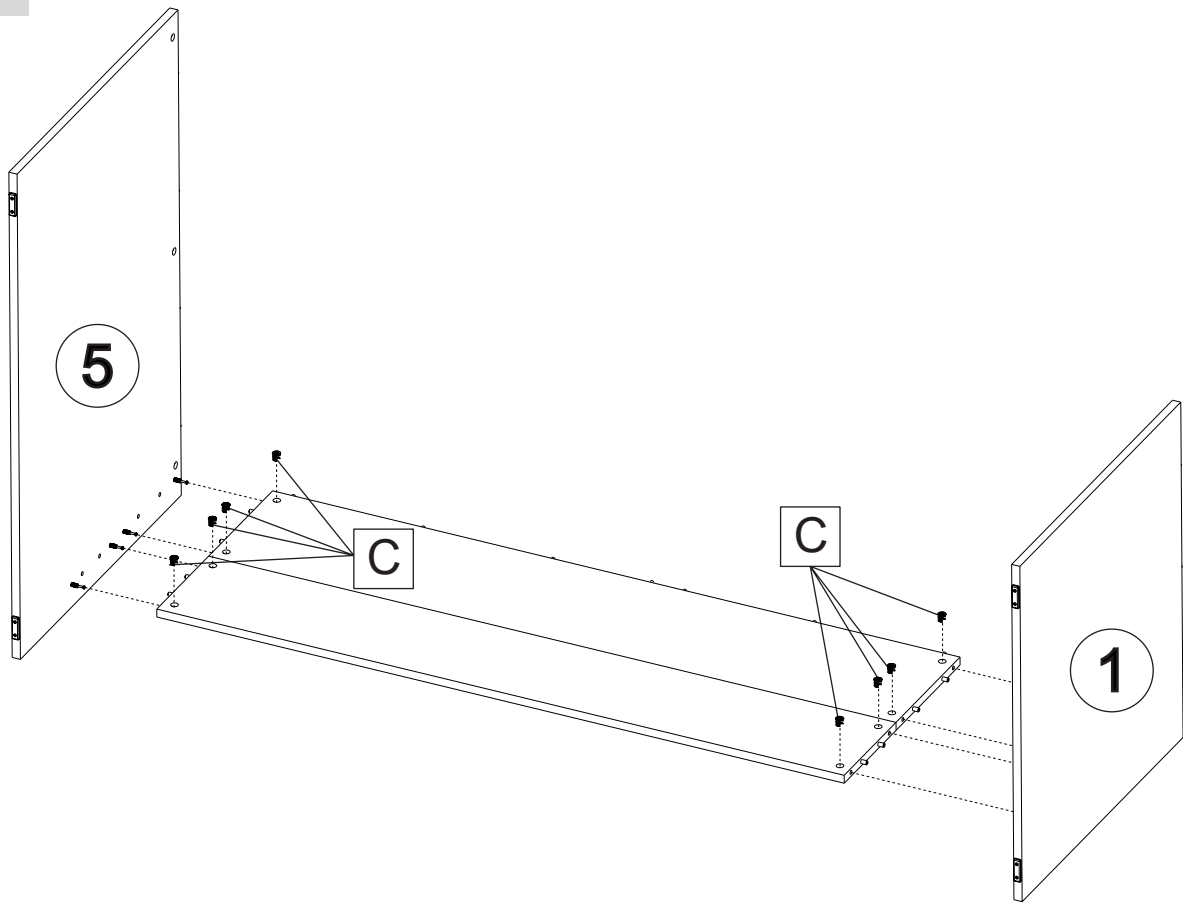
5



6



7



8

