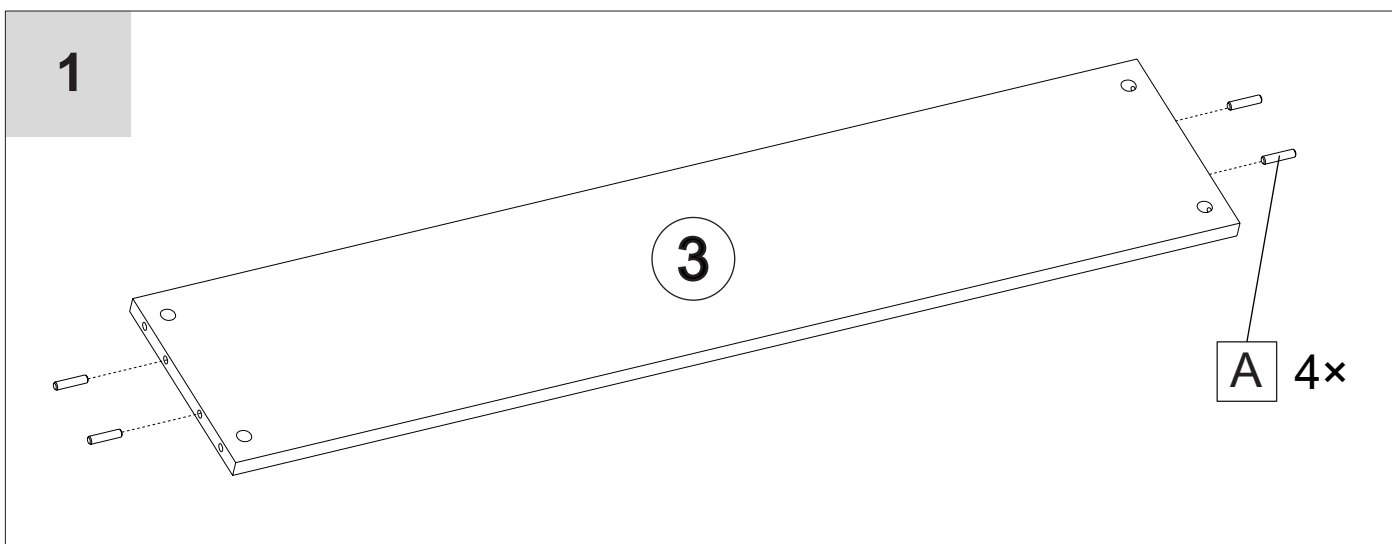
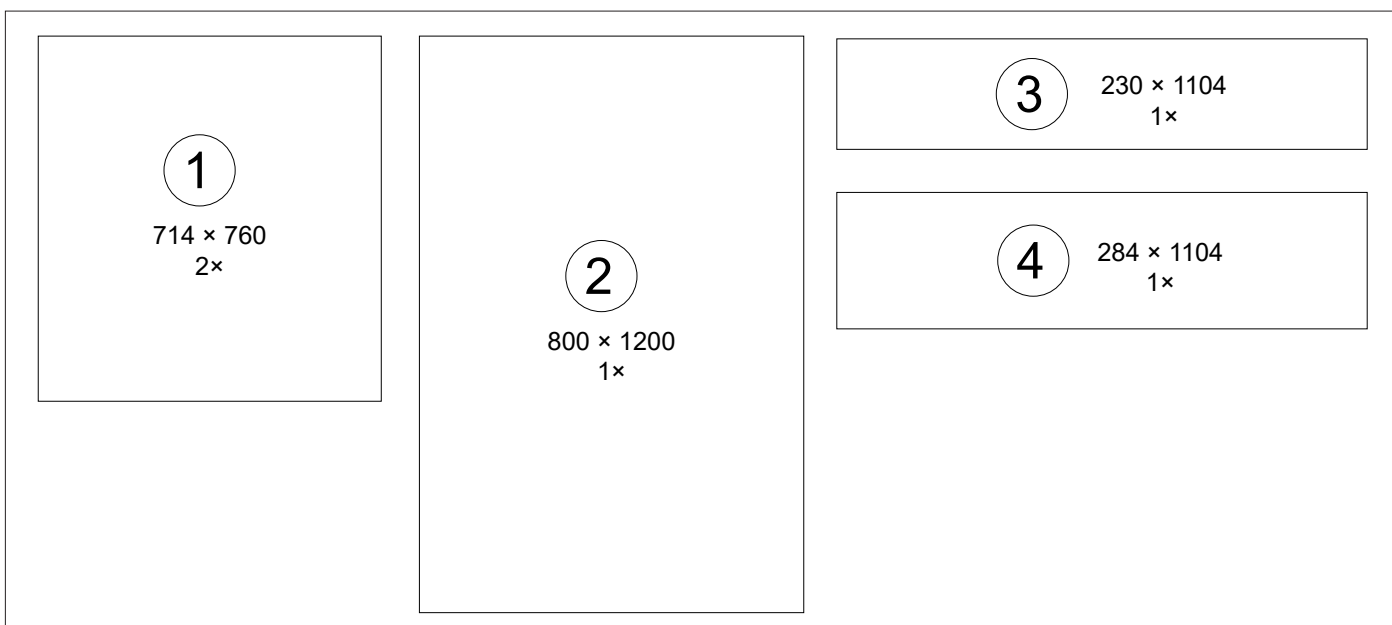
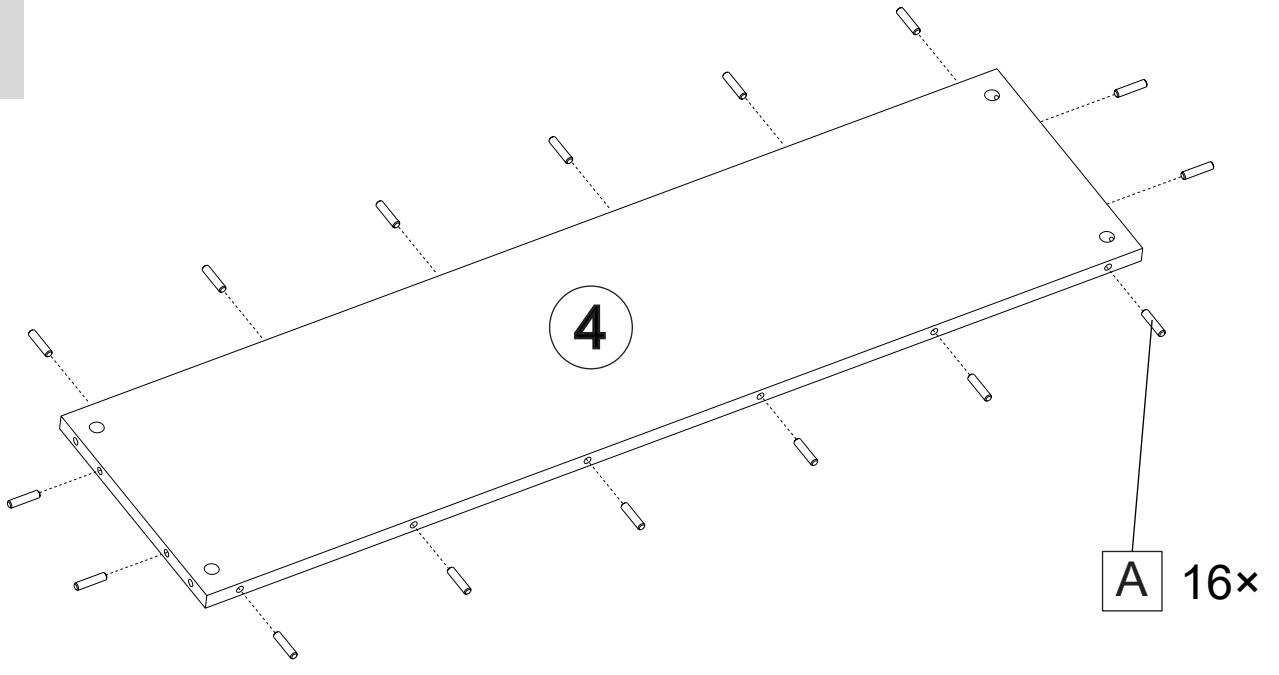
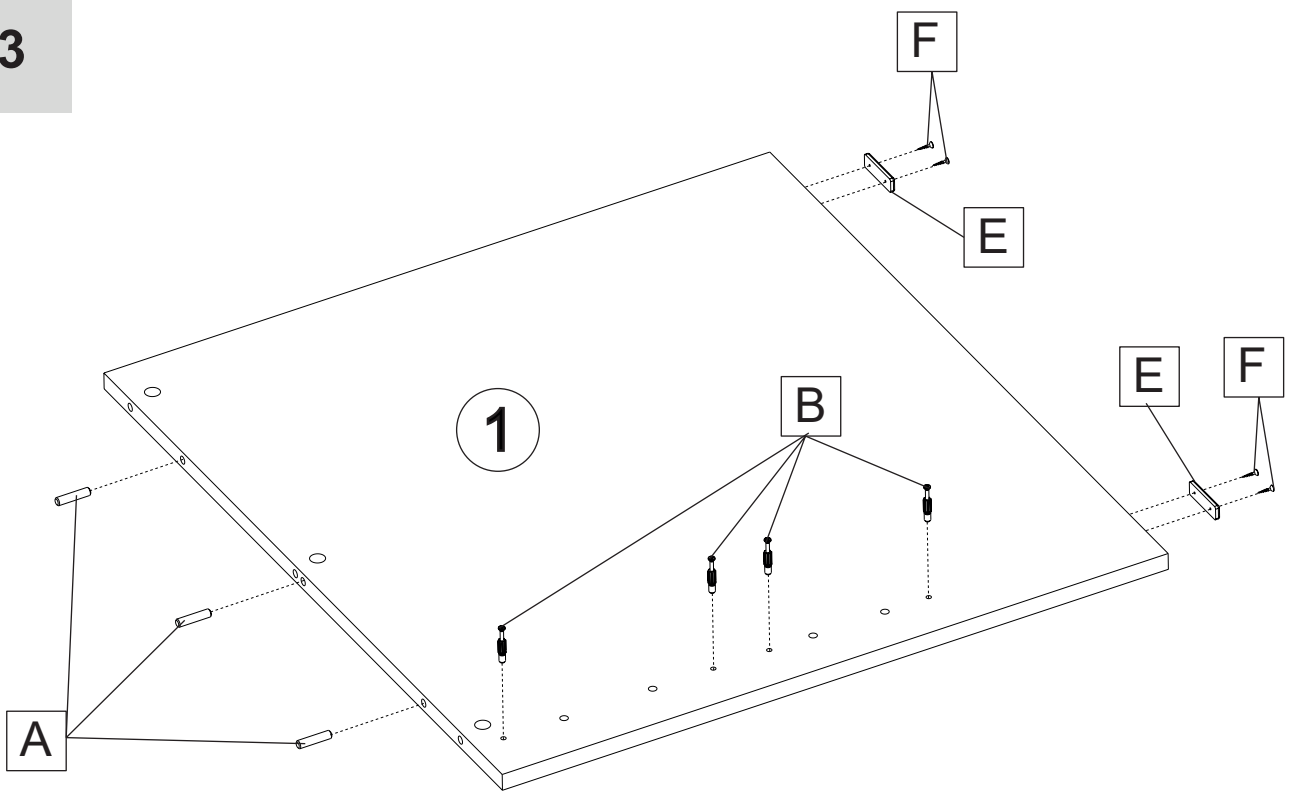

Ø8 × 35					Ø3,5 × 16
A 22×	B 14×	C 14×	D 14×	E 4×	F 8×



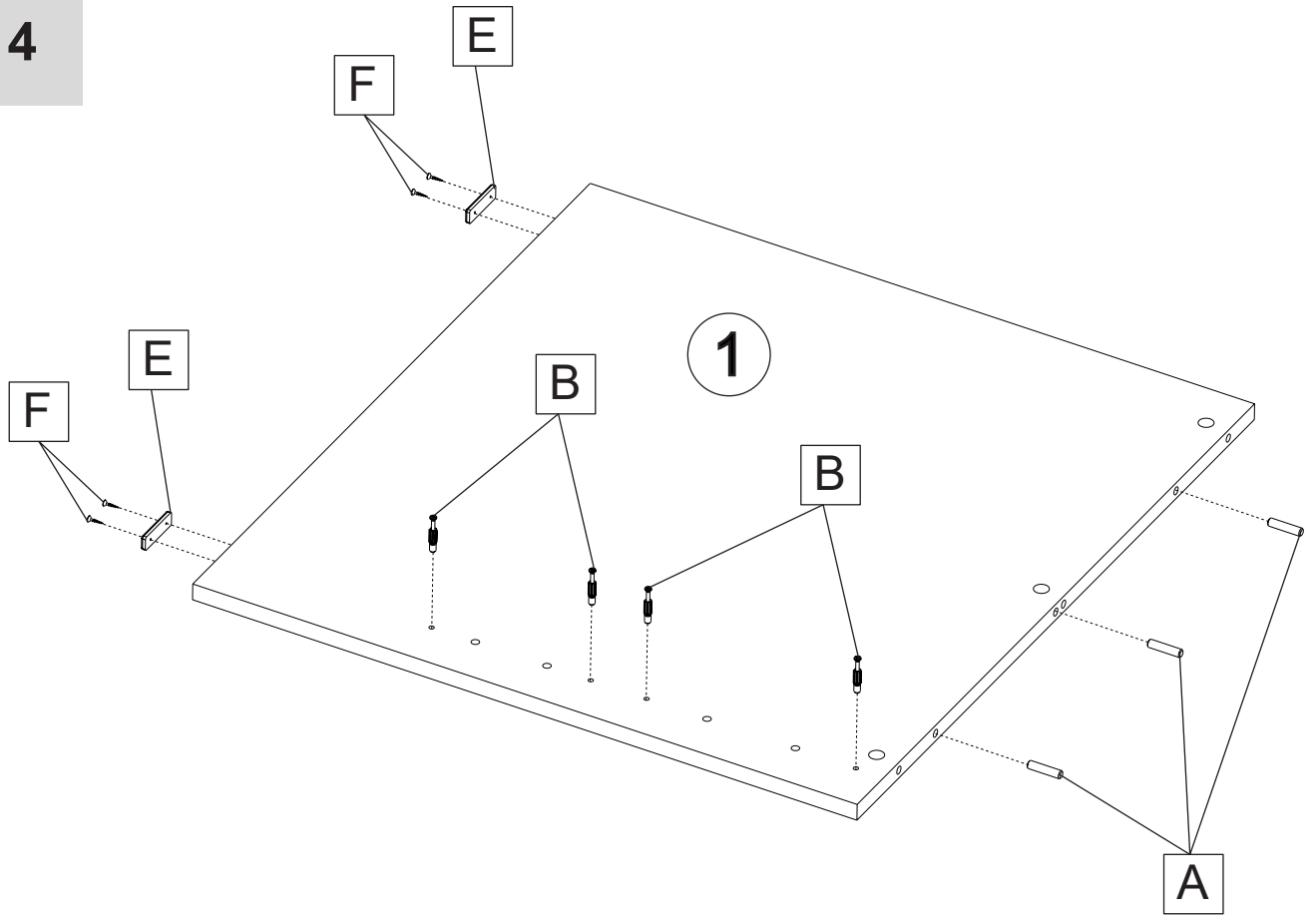
2



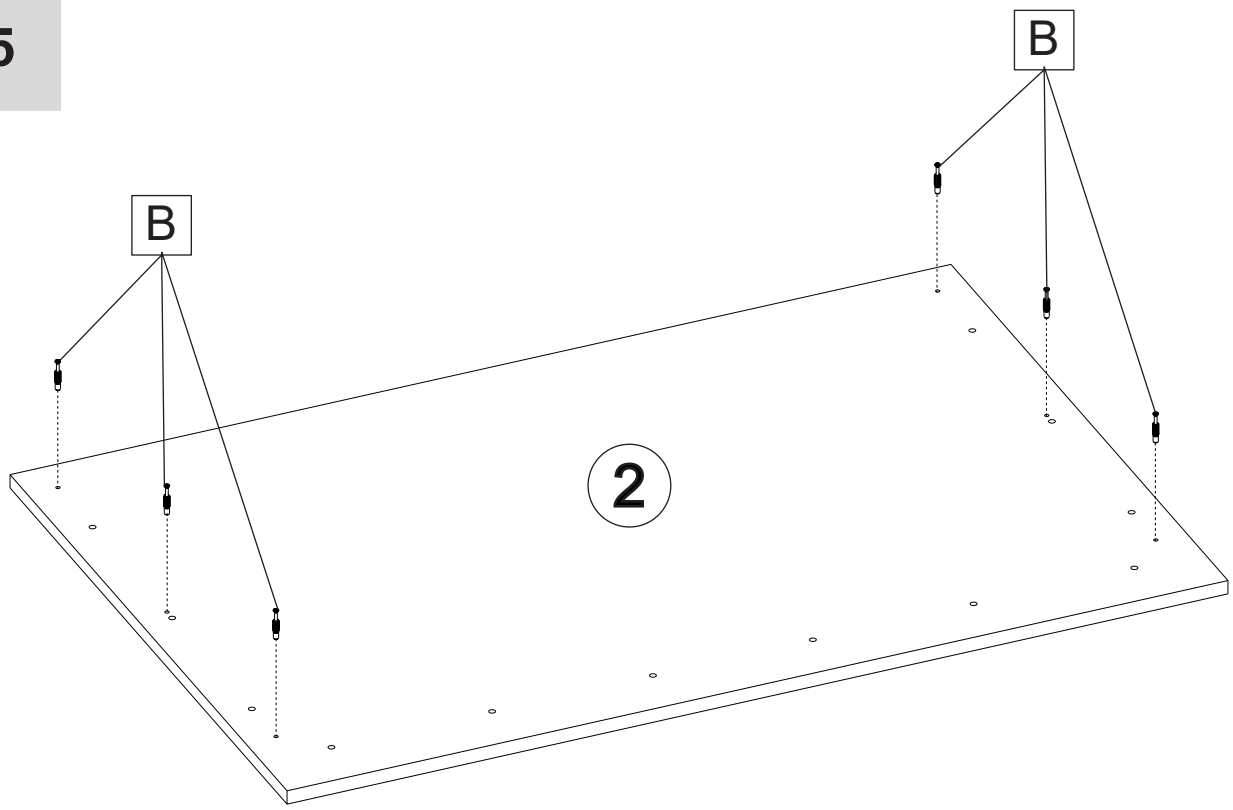
3



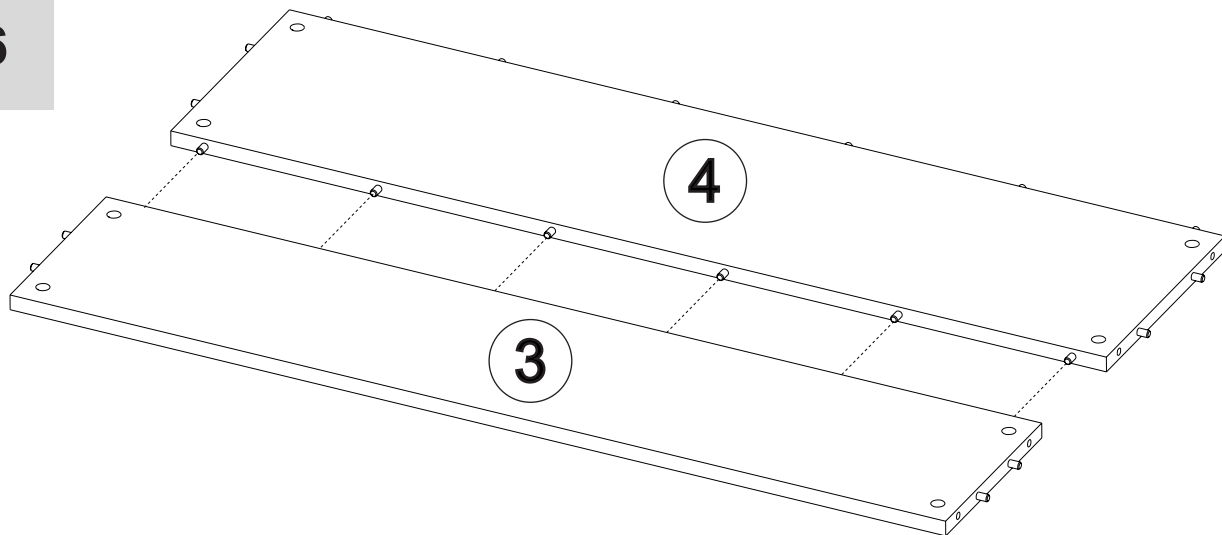
4



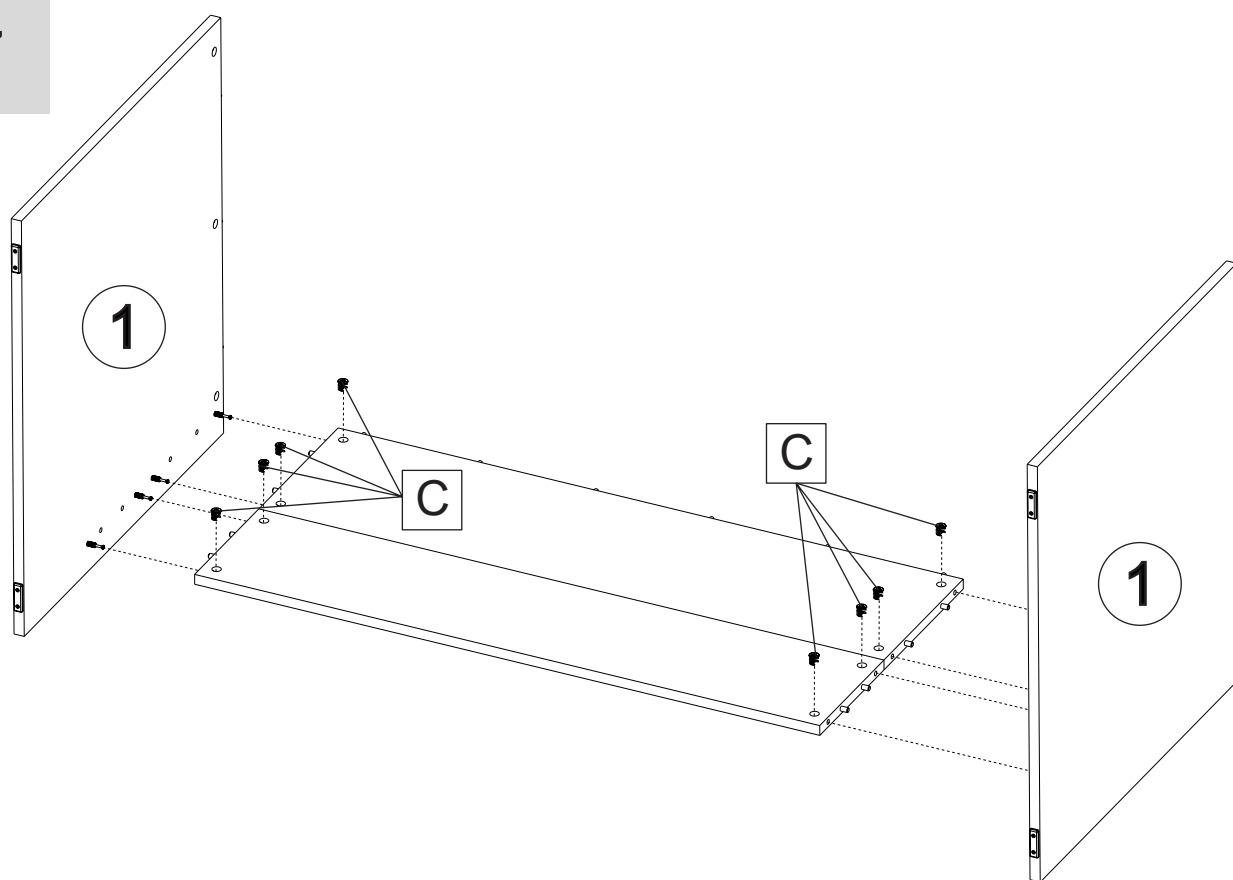
5



6



7



8

