

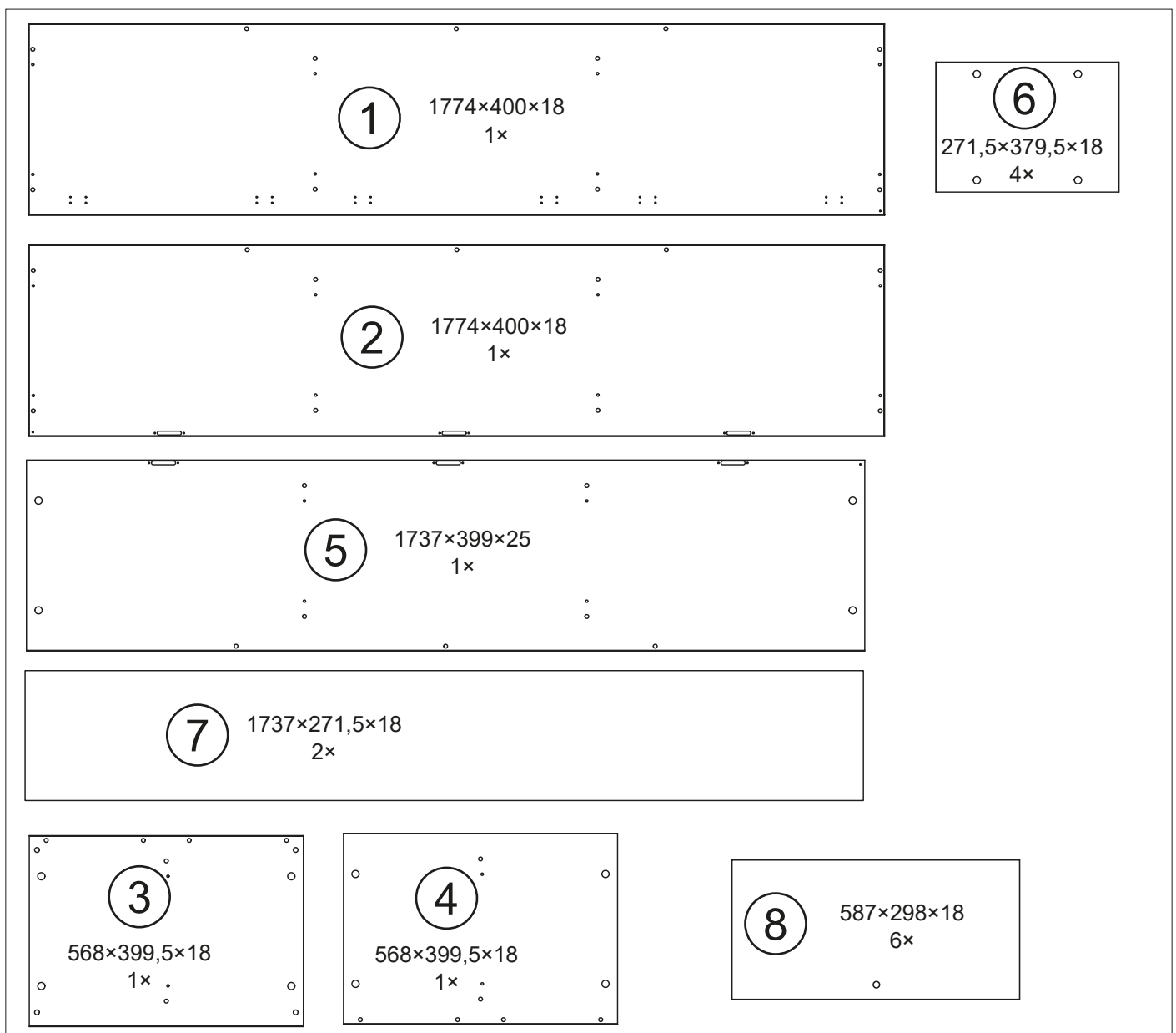
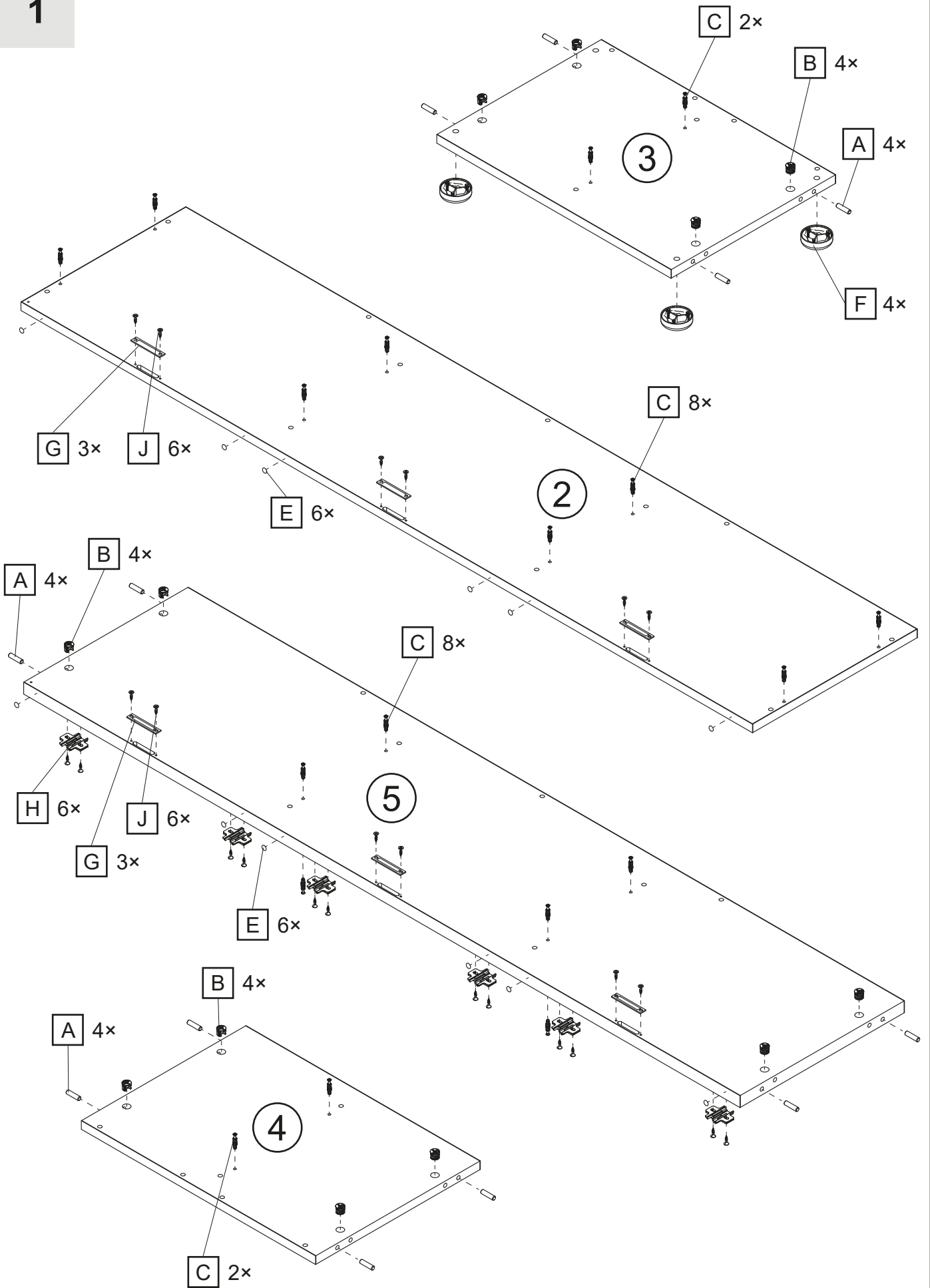
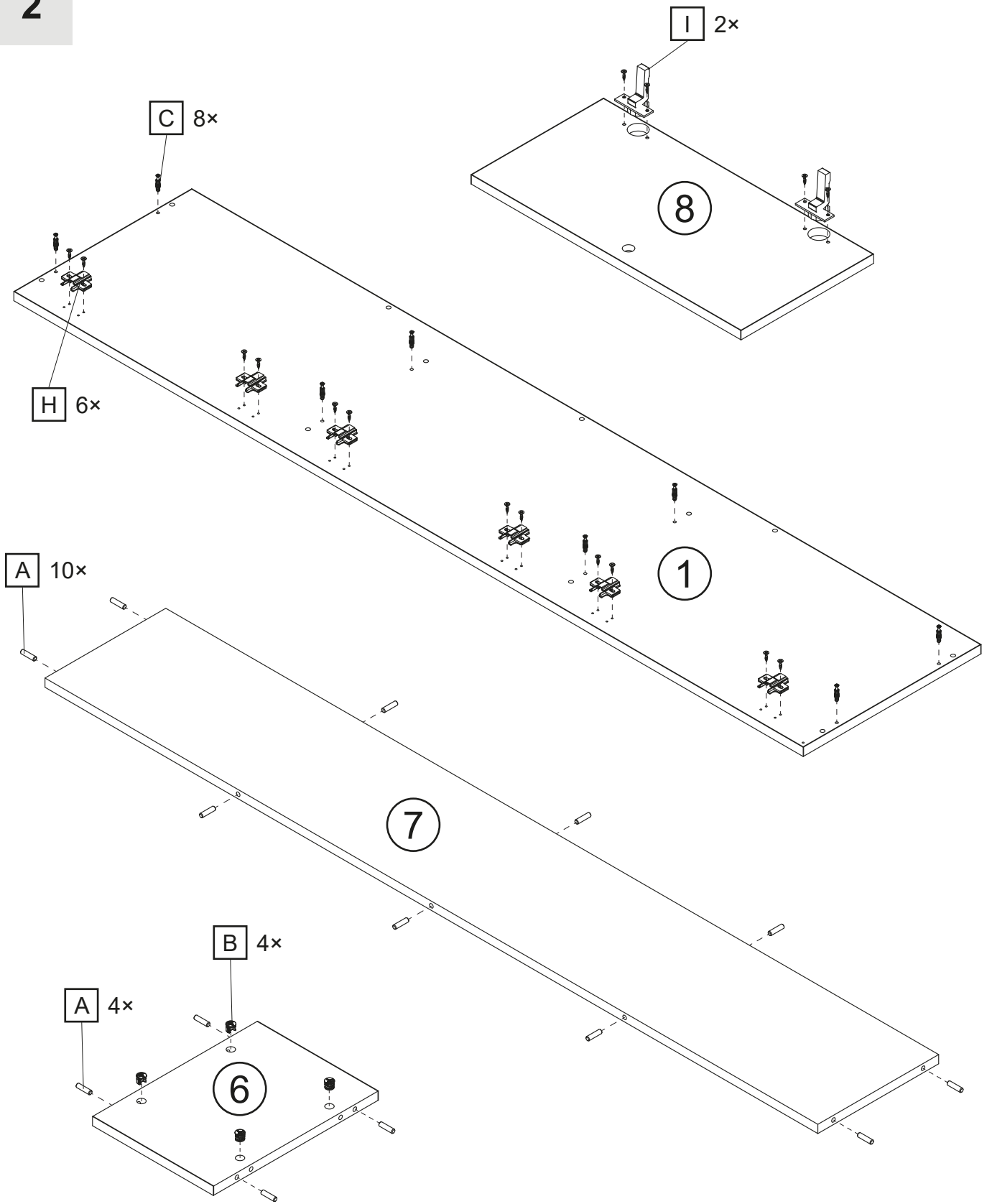

Ø8 × 35		Ø8 × 24					
A 48×	B 28×	C 28×	D 28×	E 12×	F 4×	G 6×	H 12×
							
	Ø3,5 × 16						
I 12×	J 12×						

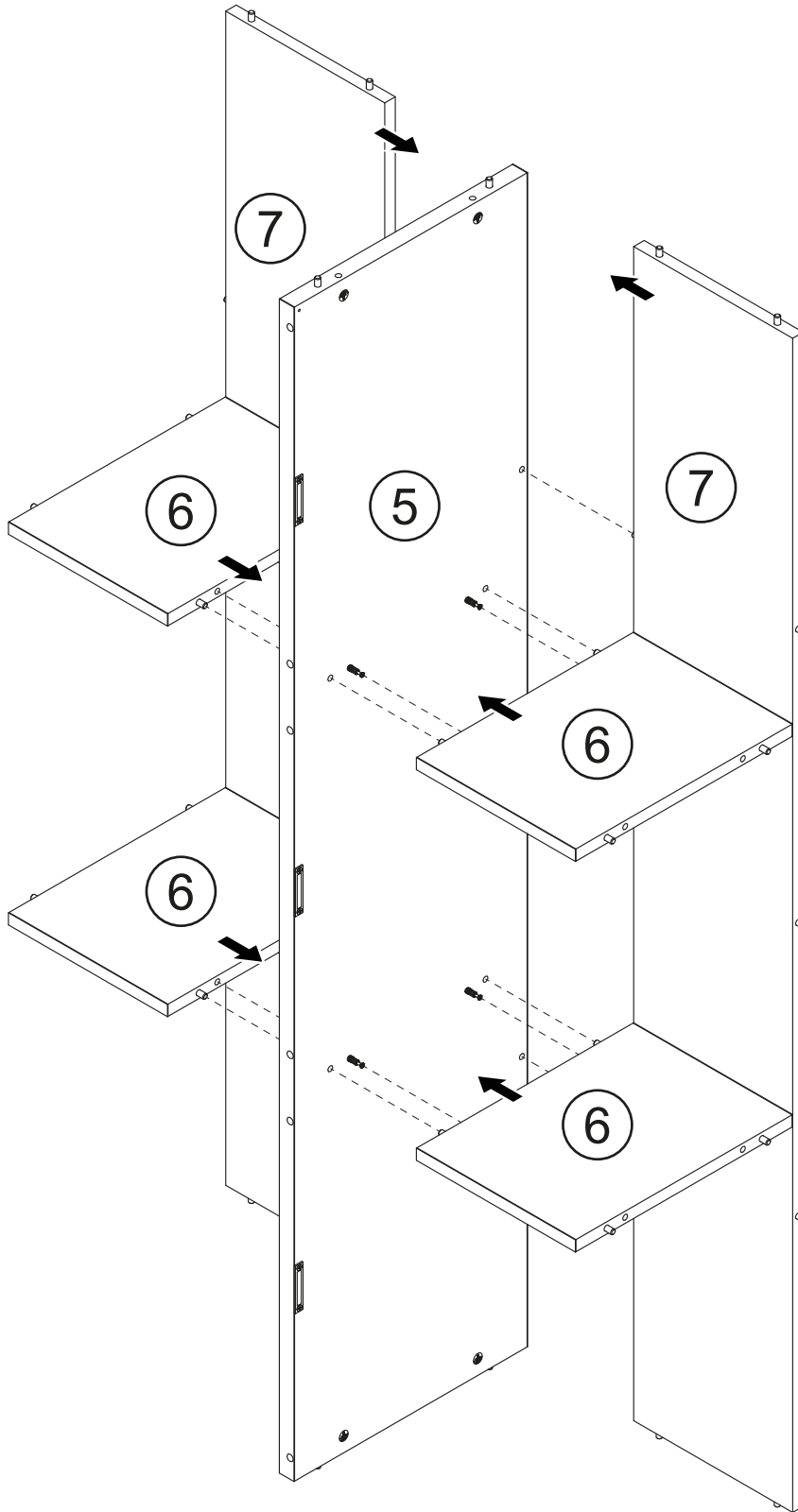


1

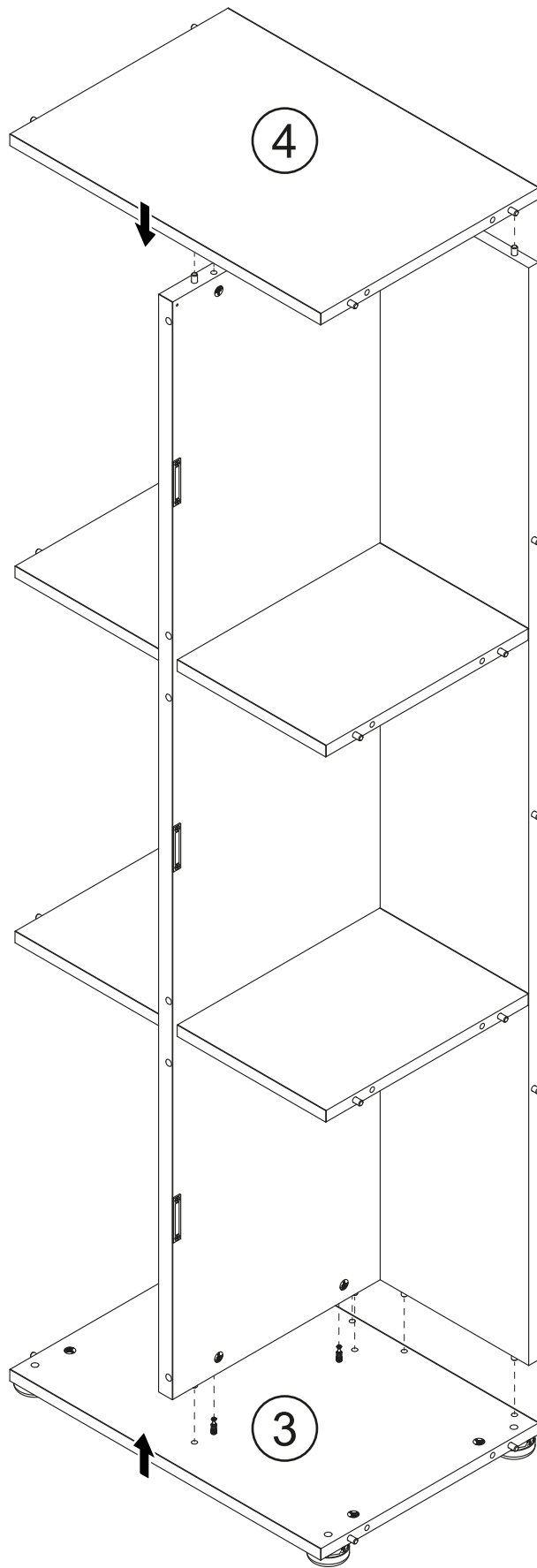


2

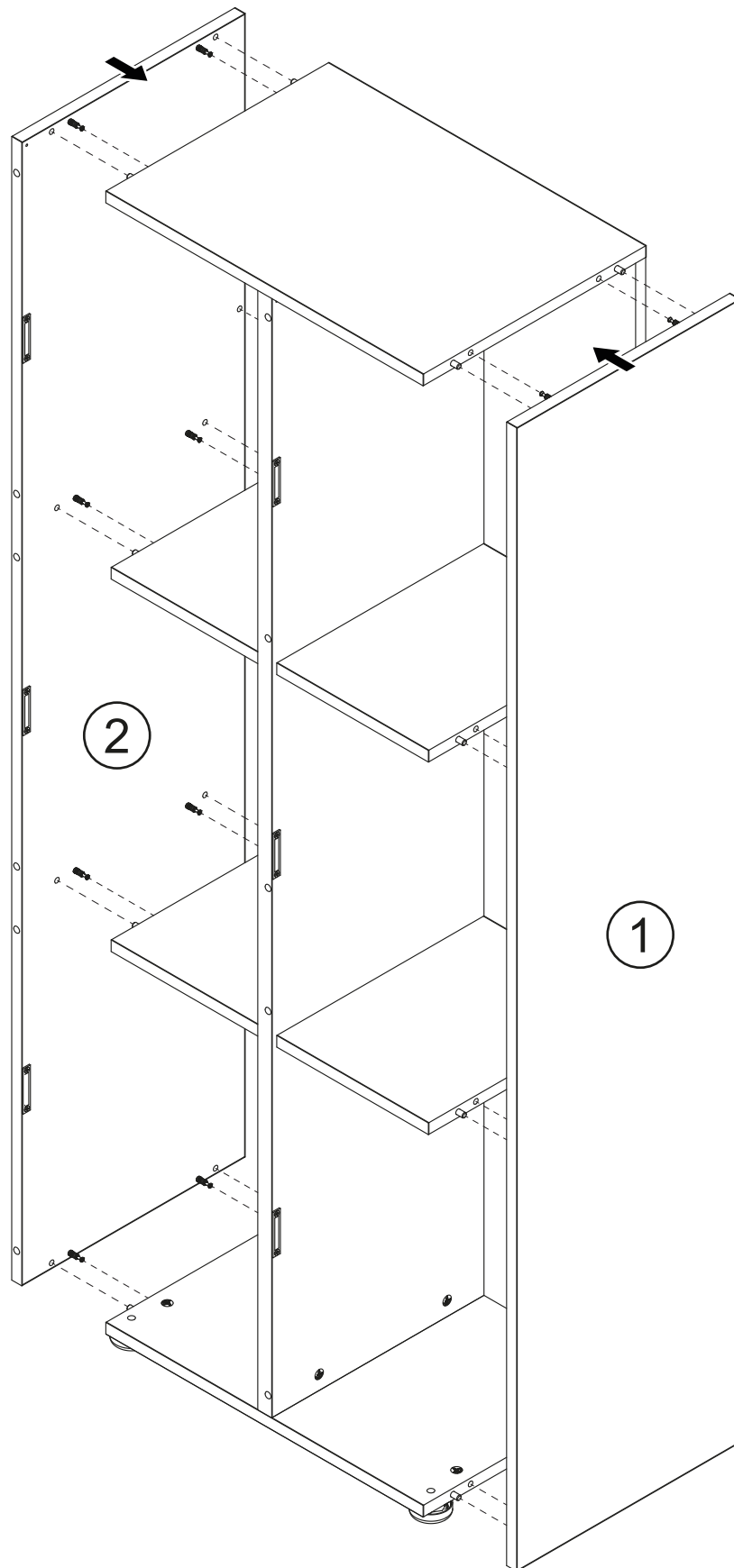


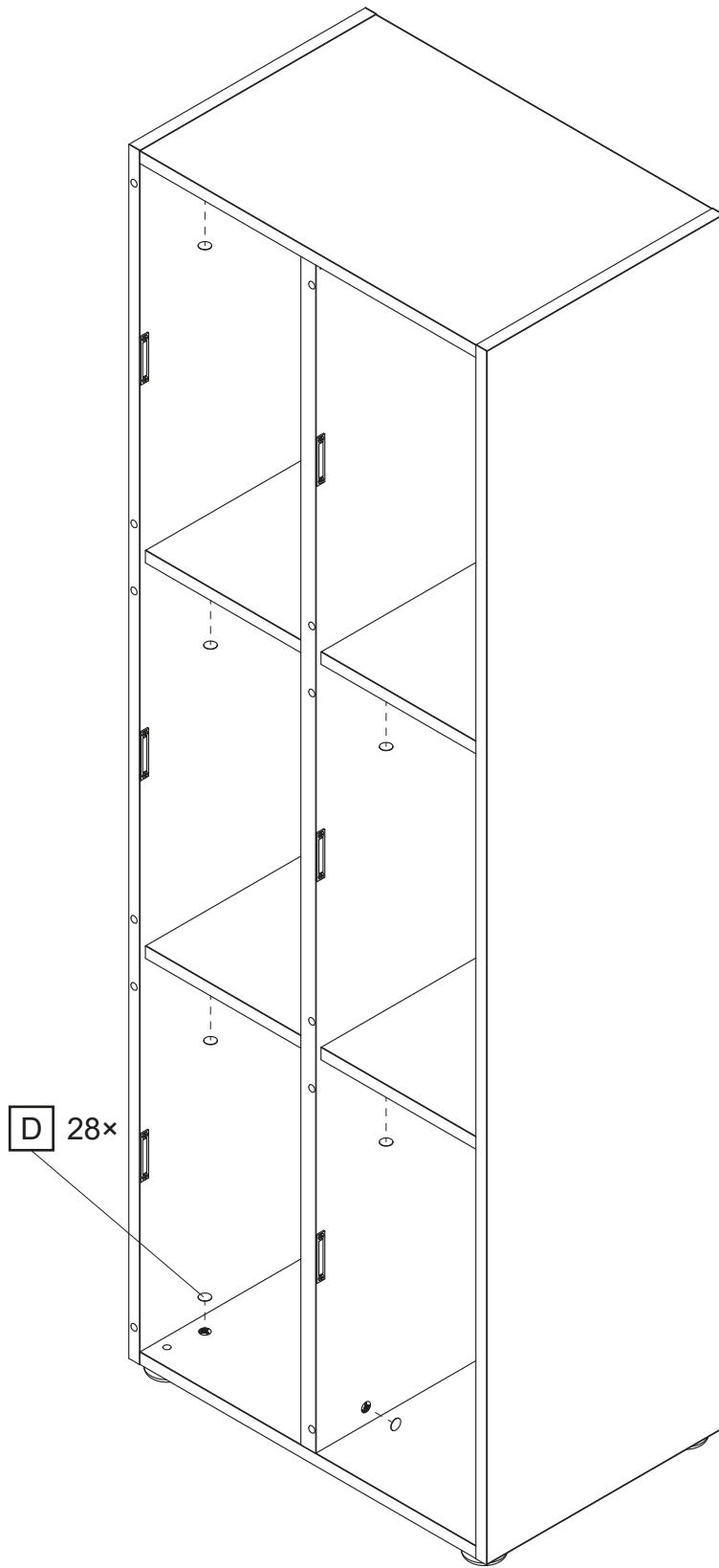


4



5





7

